

x1 or x4 bios 적용 방법(SBC, B/P) (v1.0)

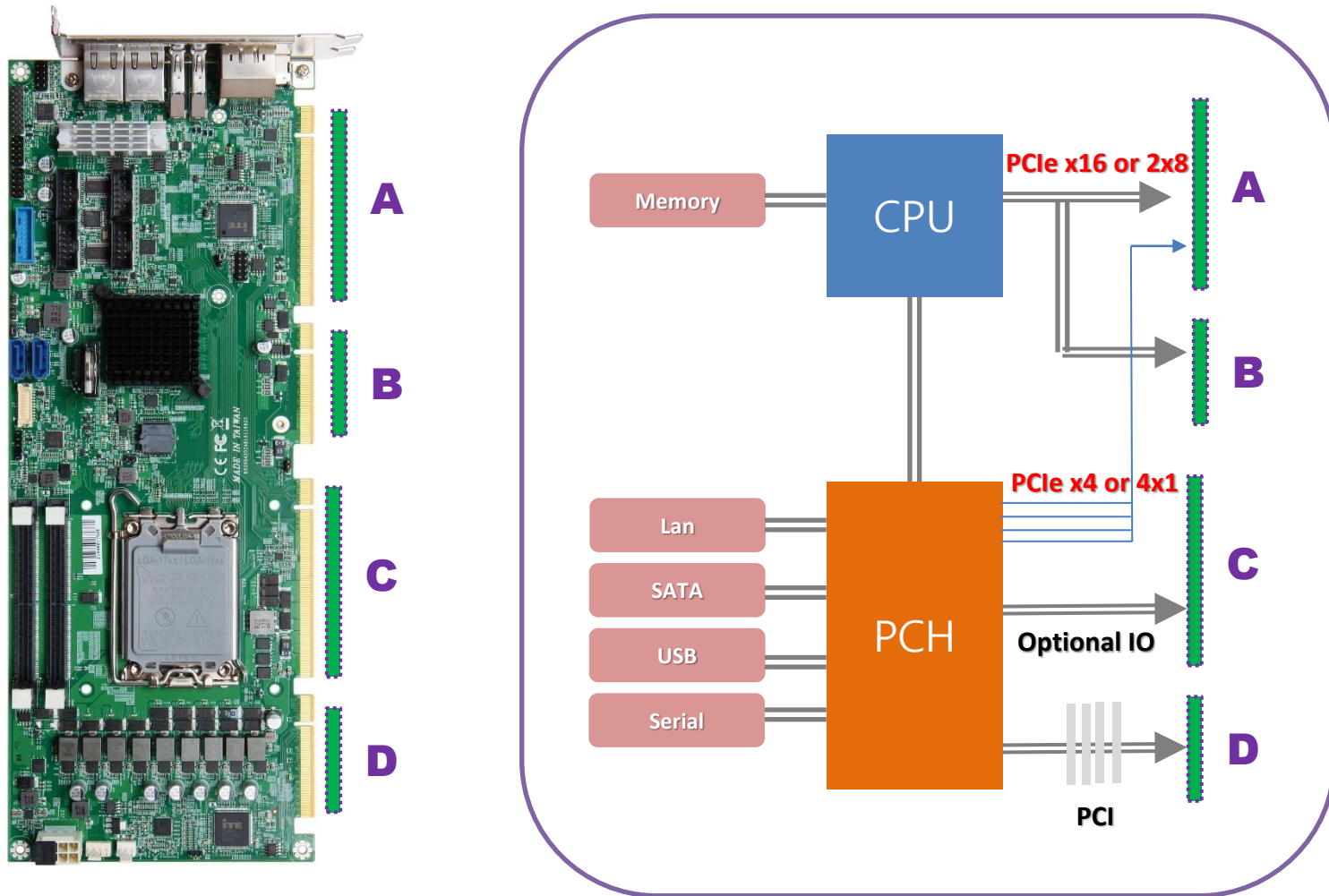
Portwell Korea, Inc.
(포트웰 코리아)

Agenda

- Block diagram of SBC 1.3 (SHB Express)
- PCIe x16 레인을 x16 or x8-x8로 설정하기
- PCIe x4 레인을 x4 또는 x1(4)으로 설정하는 방법

- **Block diagram of SBC 1.3 (SHB Express)**

→ 사용할 B/P(Backplane)의 종류에 따라서 PCIe x16는 x16 또는 x8-x8로 설정, PCIe x4는 x4 또는 x1(4)로 설정해야 합니다.



- PCIe x16 레인을 x16 or x8-x8로 설정하기

→ H/W Jumper 설정으로 해당 설정 가능

→ 또는, BIOS option에서 PEG Port Lane Width 를 1x16 또는 2x8으로 설정

PCI/PCIe Configuration

PCI, PCI-X and PCI Express Settings



Feature	Description	Options
PEG Port Lane Width	Set PEG port Lane width	★1x16, 2x8

JP7: Configure PCIEX16,X8(Pitch 2.54mm): (Reserve)



PIN No.		Description
1-2	3-4	Configuration
Short	Short	1x8,2x4
Open	Short	Reserve
Close	Open	2x8
Open	Open	★1x16

- PCIe x4 레인을 x4 또는 x1(4)으로 설정하는 방법

→아래 BIOS file에서 PCIE4는 x4모드용 bios이고, PCIE1은 x1(4개, 독립적)모드용 bios로서 해당 B/P(Backplane)의 구성에 맞는 bios를 적용해야 합니다.

The screenshot displays two BIOS update entries for the model ROBO-8116G2AR-Q670E. The top entry is for PCIE4, with a file name 'BIOS_ROBO-8116G2AR-Q670E-PCIE4_0_0_19.zip', a size of 21.49 MB, and 1238 downloads. The bottom entry is for PCIE1, with a file name 'BIOS_ROBO-8116G2AR-Q670E-PCIE1_0_0_19.zip', a size of 21.47 MB, and 1106 downloads. Both entries include a 'Download' button and a release date of September 16, 2022.

BIOS File Name	Size	Downloads	Release Date
BIOS_ROBO-8116G2AR-Q670E-PCIE4_0_0_19.zip	21.49 MB	1238 Downloads	September 16, 2022
BIOS_ROBO-8116G2AR-Q670E-PCIE1_0_0_19.zip	21.47 MB	1106 Downloads	September 16, 2022

• B/P 종류에 따른 BIOS 적용 예

	PBPE-11A3	PBPE-12P4	PBPE-13A4	PBPE-13A8	PBPE-12A9	PBPE-14A7- PK
x4	x1(4ea)	x1(4ea)	x1(4ea)	x1(4ea)	X4(1ea)	X4(1ea)
x16	x16	x8, x4, x4	x16	x16	x16	x16
PCI	P- PCI(3ea)	P- PCI(4ea)	P- PCI(4ea)	<ul style="list-style-type: none"> • P-PCI(4ea) • S-PCI(4ea) 	<ul style="list-style-type: none"> • P- PCI(3ea) • S-PCI(6ea) 	<ul style="list-style-type: none"> • P-PCI(3ea) • S-PCI(4ea)
Which BIOS	PCIe X1 BIOS 적용필요				PCIe X4 BIOS 적용 필요	

